

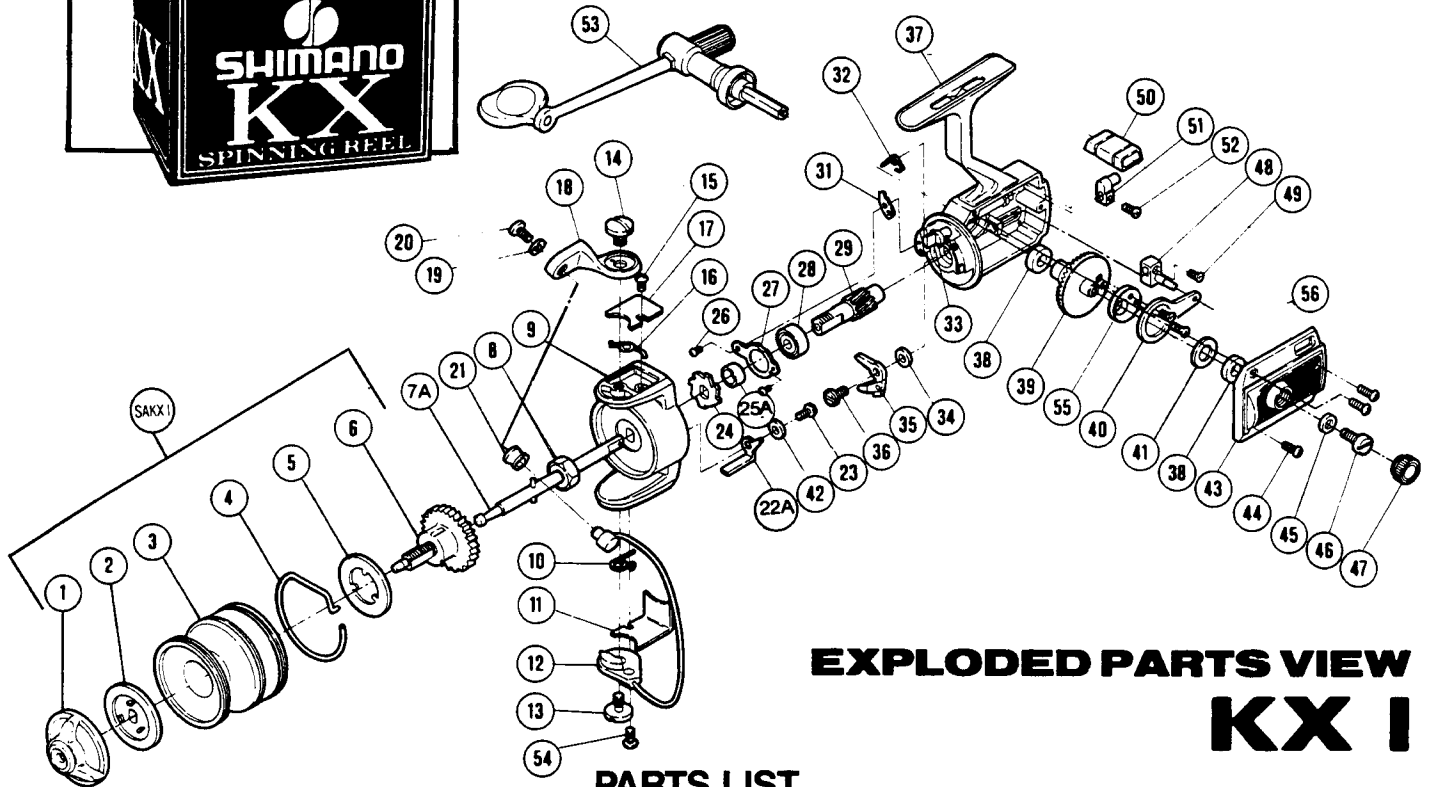
## 1987 REPAIR MANUAL KX I

Shimano American Corporation, One Shimano Dr.  
Irvine, CA 92718



### TO ORDER:

This reel belongs to the "KX, Bass-1" series.  
Please order parts using the abbreviation  
"KXB" and the part number.



## EXPLODED PARTS VIEW KX I

### PARTS LIST

PART #	DESCRIPTION
1.	Drag Adjusting Knob
2.	Drag Disk
3.	Spool Shell
4.	Click Spring
5.	Base Drag Washer
6.	Spool Spindle
7A.	Spool Axle
8.	Rotor Nut
9.	Rotor
10.	Trip Lever Spring
11.	Trip Lever Cover
12.	Bail Wire
13.	Bail Wire Screw
14.	Bail Mount Screw
15.	Bail Spring Cover Screw
16.	Bail Spring
17.	Bail Spring Cover
18.	Bail Mount
19.	Line Guide Lock Washer
20.	Line Guide Screw
21.	Roller Line Guide
22A.	Trip Lever
23.	Trip Lever Screw
24.	Anti Reverse Ratchet
25A.	Anti Reverse Spacer
26.	Bearing Lock Screw
27.	Bearing Lock
28.	Ball Bearing
29.	Pinion Gear
31.	Trip Cam
32.	Anti Reverse Shaft Spring
33.	Anti Reverse Shaft
34.	Anti Reverse Dog Spacer
35.	Anti Reverse Dog
36.	Anti Reverse Dog Screw
37.	Housing
38.	Drive Gear Bushing
39.	Drive Gear
40.	Oscillation Guide
41.	Thrust Washer
42.	Trip Lever Spacer
43.	Side Plate
44.	Side Plate Screw
45.	Handle Screw Lock Washer
46.	Handle Retainer Screw
47.	Dust Cap
48.	Oscillation Block
49.	Oscillation Block Screw
50.	Anti Reverse Switch
51.	Anti Reverse Actuator
52.	Actuator Screw
53.	Handle
54.	Trip Lever Cover Screw
55.	Oscillation Disk
56.	Oscillation Disk Screw
SAKXI Complete Spool Assembly	